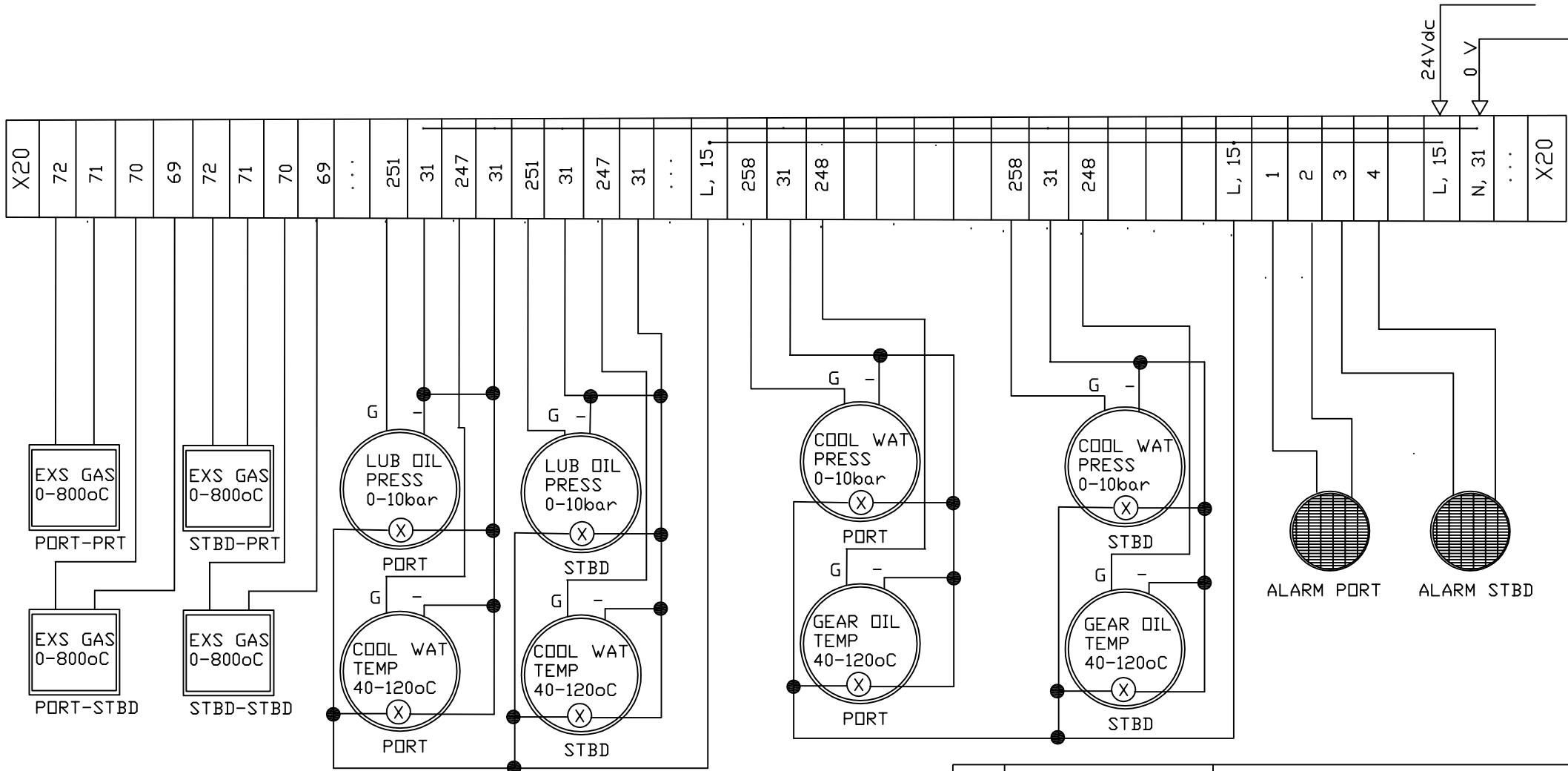


BRIDGE INSTRUMENTATION WIRING
-FRONT VIEW-



DISCO VOLANTE; BRIDGE TERMINAL WIRING		META IMPROVING TECHNOLOGIES Ltd. ERMOUPOLEOS 23, 185 41 PIRAEUS	
NAME	DATE	DRW.NO: 96539_3	
Des. fy	29.01.08	SCALE	
appr.		N/A	