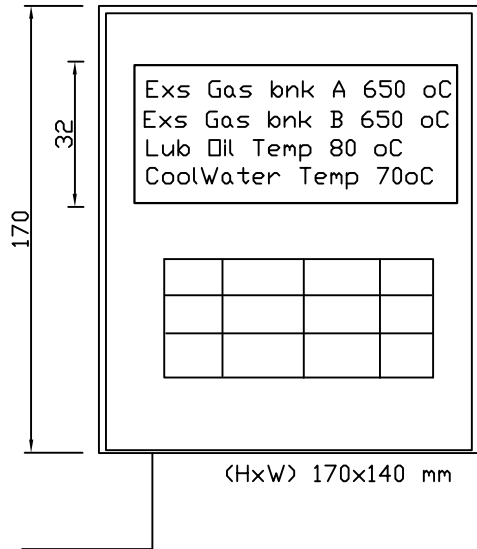
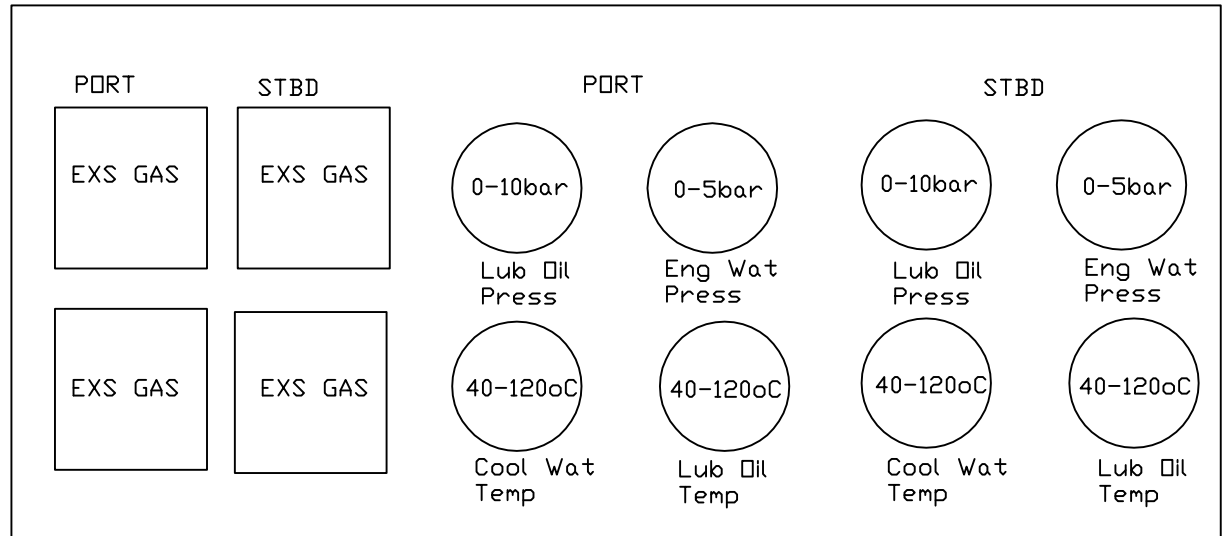


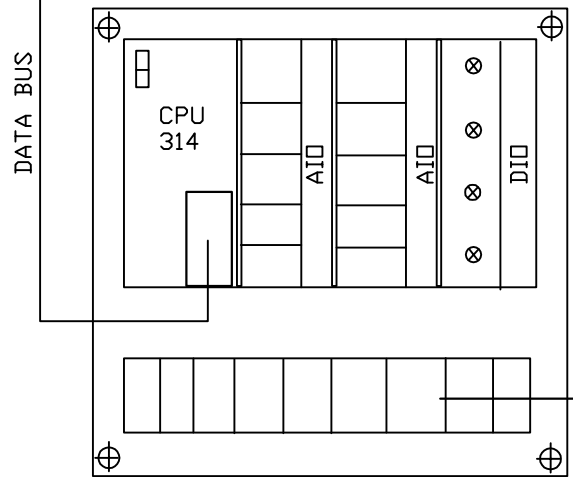
DISPLAY TERMINAL



BRIDGE TABLEAU



PLC UNIT INTERFACE



BRIDGE CENTRAL TERMINAL



AREA BEHIND CONSOLE

SIGNAL CABLE WIRING BRANCH OFF

DISCO VOLANTE: Bridge Digital Display		META IMPROVING TECHNOLOGIES Ltd. ERMOUPOLEOS 23, 185 41 PIRAEUS	
NAME		DATE	
Des. gk		28.01.08	
appr.			
DRW.NO: 96539_7			SCALE
			N/A